

### E-Series Model Numbers

1	2	3	4	5	6	7	8

<b>1 - Series</b> E Standard E-Series EX Customized E-Series		<b>2 - Nom. GPH</b> 30 60 90 120 150 180 300		<b>3 - Strainer Option</b> D Duplex (Standard) S Simplex 2S Two Simplex		<b>4 - Nominal Pressure</b> 3 25 psi 5 50 psi 8 75 psi 10 100 psi 13 125 psi 15 150 psi		<b>5 - Seal</b> L Buna-N Lip Seal (Standard) M Buna-N Mechanical Seal V Viton Mechanical Seal		<b>6 - Phase</b> 1 3		<b>7 - Discharge Switch Options</b> NF No Switch (Standard) FL Flow Switch 2FL Two Flow Switches LF Low Flow Switch 2LF Two Low Flow Switches PS Pressure Switch		<b>8 - Additional Options</b> DP Differential Pressure Switch ENC Outdoor Enclosure FM Foot Mounted Pumps ISO Vibration isolators and flex	
--	--	---	--	--	--	---	--	--	--	----------------------------	--	--	--	--	--

### Request an E-Series Quote

Please fill out all bold fields

Flow: \_\_\_\_\_ GPM Pressure: \_\_\_\_\_ PSI

Available Ph/Hz/Voltage: \_\_\_\_\_ Ph/ \_\_\_\_\_ Hz/ \_\_\_\_\_ V

#### Mechanical Options

Strainer (Choose one):  Simplex  Duplex

Seals (Choose one):  Viton Lip Seals  
 Buna-n Mechanical Seals  
 Viton Mechanical seals

- UL Listed Strainer
- UL Listed pumps
- Welded Piping (Recommended for 150 psi and above)
- Foot Mounted Pumps
- Flexible pump connections and vibration isolators
- Painted carbons steel pump set enclosure

- Premium Efficiency Motors
- Please Send Me a Customized Specification
- My Specification is Attached

#### Controls Options

NEMA:  1  3R  4  4X  12  Other \_\_\_\_\_  
 UL 508A Labeled

- Lead Lag with
  - Flow Switch (Standard for most applications)
  - Pressure Switch
- Auto Alternation
- Leak Switch
- Strainer DP Switch

#### Additional Information:

\_\_\_\_\_

\_\_\_\_\_

\_\_\_\_\_

\_\_\_\_\_

\_\_\_\_\_

Company \_\_\_\_\_

Contact Name \_\_\_\_\_

Position \_\_\_\_\_

Phone \_\_\_\_\_

Email \_\_\_\_\_

Job Name \_\_\_\_\_

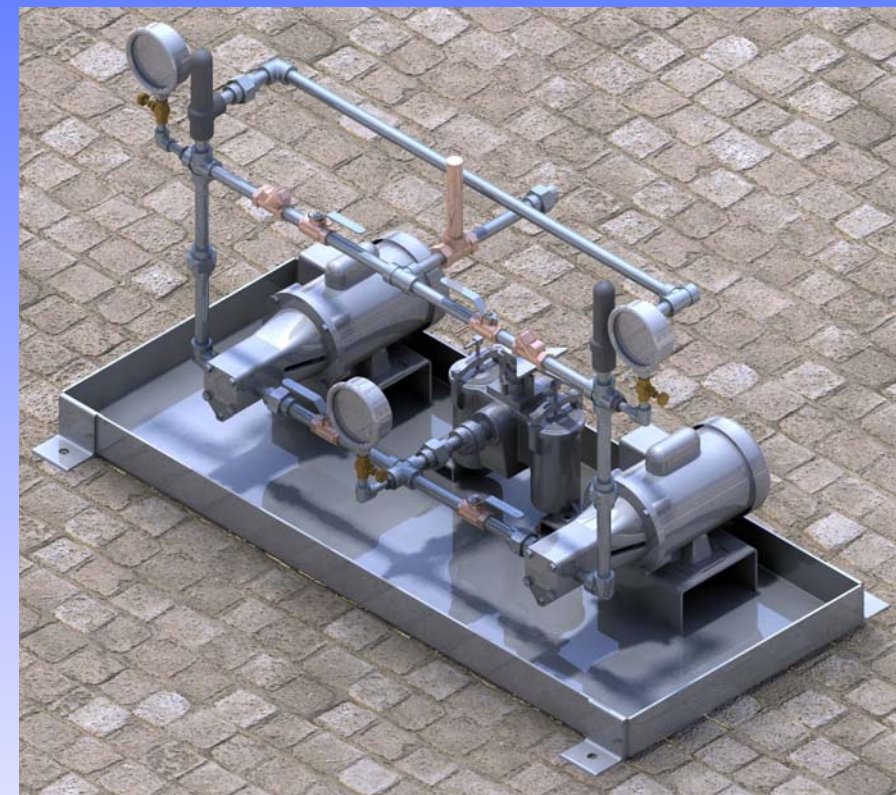
Date Quote Needed \_\_\_\_\_



**Engineering Value Into Every Solution**  
 Call to speak with an application engineer today

**1-800-726-7110**  
 info@geigerinc.com

# E-Series Packaged Light Fuel Oil Pump Sets



Economical pumping solutions, backed by Smith-Koch's 90 years of experience in the fluid handling industry

**Capacities of  
 30 to 500 GPH**

**Pressures up  
 to 300 PSI**

- ◆ Factory built and tested for reliability and ease of installation
- ◆ Easily customizable to fit your specification
- ◆ Covered by SK Systems quality assurance program
- ◆ Expedited submittals and delivery available
- ◆ 3D drawings and models



Smith-Koch Systems  
 A GEIGER Pump & Equipment Company

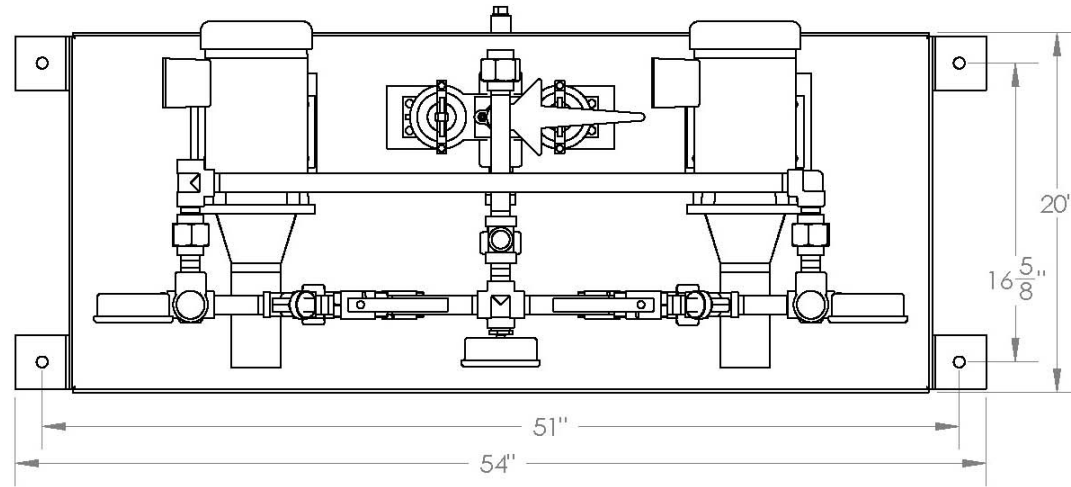
For assistance with your application, questions, or quotations, please contact us:

Email: info@geigerinc.com  
 Telephone: 1-800-726-7110  
 Fax: (610)-361-9241

**Standard Features**

- ◆ Duplex arrangement (Simplex option available)
- ◆ Ball valves and check valves for pump isolation
- ◆ Reliable Viking™ pumps, UL listed pumps available
- ◆ Name brand motors
- ◆ Stainless Steel, liquid filled gauges
- ◆ Drip pan base with 2 3/4" lip
- ◆ UL listed duplex strainer for continuous operation
- ◆ External safety relief valves
- ◆ Single or three phase motors
- ◆ Comprehensive factory testing

◆ All submittals include customized mechanical drawings

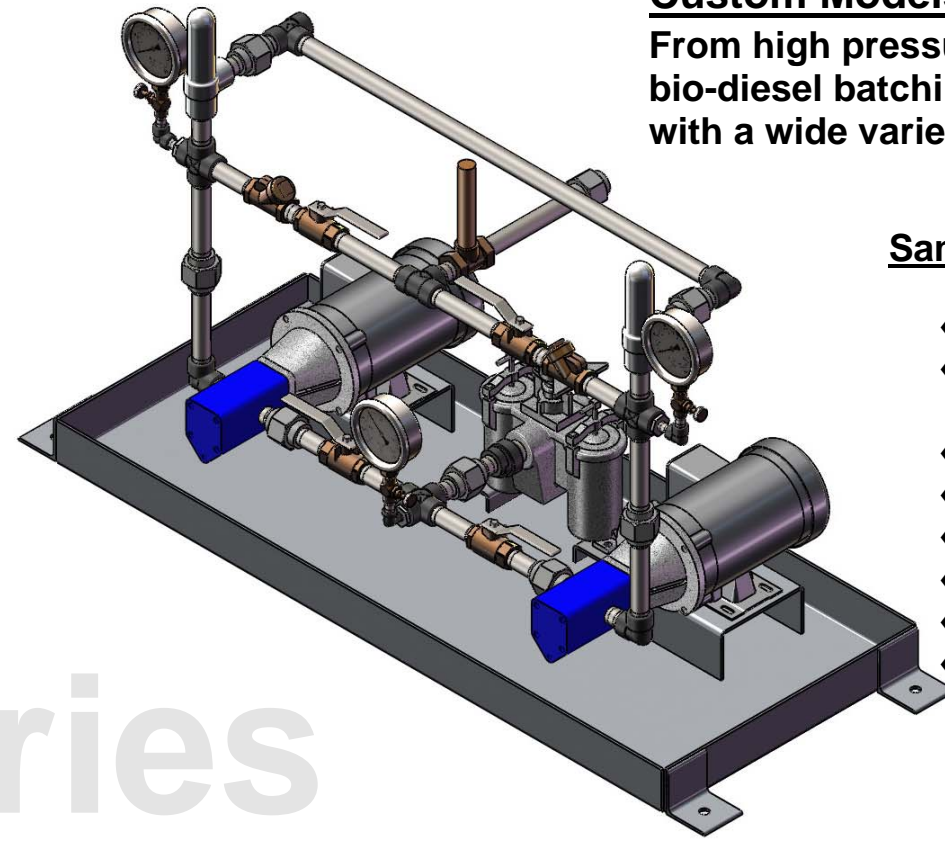


**Custom Models**

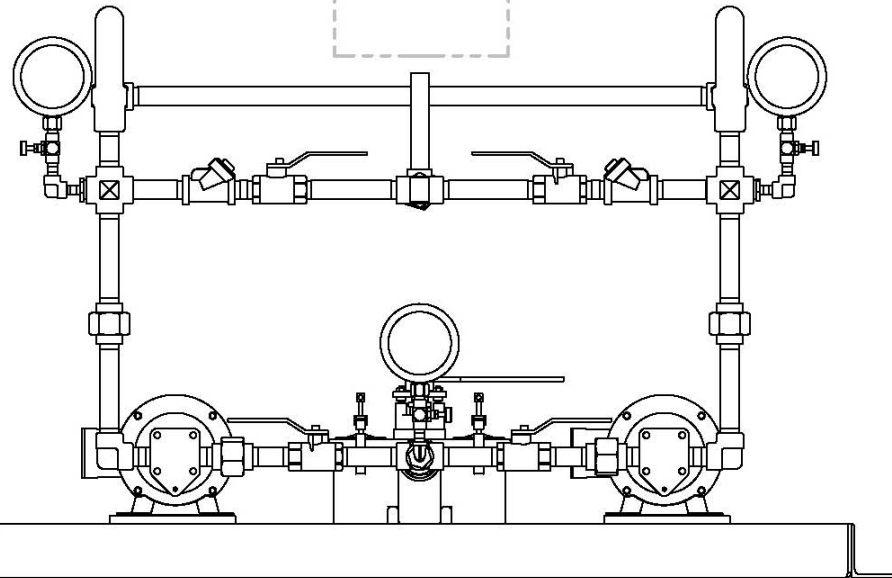
From high pressure fuel oil systems to bio-diesel batching, we have experience with a wide variety of applications.

**Sample of Custom Options**

- ◆ Pump set Enclosures
- ◆ Back pressure valves, installed or shipped loose
- ◆ Simplex strainers
- ◆ Flexible connections
- ◆ Vibration isolators
- ◆ Flow switches and meters
- ◆ Temperature switches
- ◆ Additional options available



**E-Series**



**Control Options**

- ◆ Customized for your application
- ◆ PLC based controls available
- ◆ Lead-Lag operation
- ◆ Auto alternation
- ◆ Pan leak detection
- ◆ Differential pressure switches
- ◆ Flow or pressure switches

Standard systems have the footprint shown above. Please consult SK Systems for custom footprints.



E-Series Size	Flow GPH @ 25psi	Flow GPH @ 50psi	Flow GPH @ 75psi	Flow GPH @ 100psi	Flow GPH @ 125psi	Flow GPH @ 150psi	Flow GPH @ 175psi	Flow GPH @ 200psi	Flow GPH @ 225psi	Flow GPH @ 250psi	Flow GPH @ 275psi	Flow GPH @ 300psi
E-30	39	38	37	36	35	34	33	32	31	30	30	29
E-60	59	58	57	56	55	54	53	53	52	51	51	50
E-90	84	82	80	78	77	76	75	74	73	72	71	70
E-120	119	117	115	114	113	112	112	111	110	109	109	108
E-180	225	219	213	209	206	202	199	196	194	191	189	186
E-300	307	307	307	285	279	274	268	263	259	254	250	246
E-360	422	403	389	375	367	356	348	339	NA	NA	NA	NA
E-500	605	572	547	526	NA	NA	NA	NA	NA	NA	NA	NA

**Need a Spec?**

Standard specs available on our website:

[www.fueloilpump.com](http://www.fueloilpump.com)

Or contact us for a spec customized for your application

Don't see what you need? Smith-Koch S-Series, H-Series, and custom systems offer solutions for your most demanding or unusual applications.

